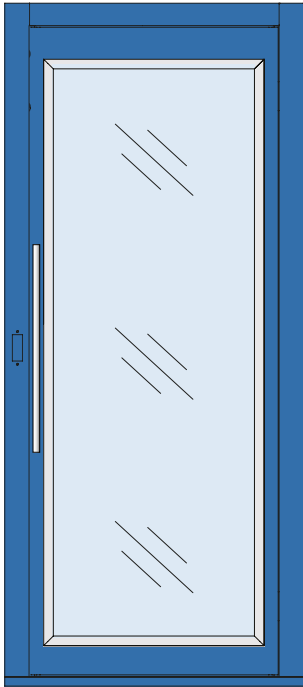


COMPANY NAME: _____ TELEPHONE: _____
 NAME: _____ FAX/EMAIL: _____
 ADDRESS: _____ CITY: _____ PROV: _____
 DATE: _____ INSTALLATION REF: _____ DELIVERY DATE: _____



1_DOOR QUANTITY N° _____; **2_OPENING:** LEFT N° _____; RIGHT N° _____; (DOOR VIEW FROM FLOOR)

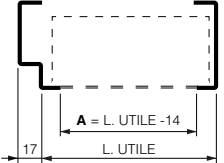
3_CLEAR OPENING WIDTH (mm):
*REF. SECTION 19
 500* 550* 600 650
 700 750 800 850
 900 950 1000 1050
 1100 1150 1200
 OTHER: _____

5_FRAME
LEFT JAMB: 100 mm (STD) OTHER: _____
HEADER: 100 mm (STD) OTHER: _____
RIGHT JAMB: 100 mm (STD) OTHER: _____
5a_DOOR PANEL:
 VERTICAL MOLDING OF STIFFERING (STD)
 NO RAISED ON EDGE

4_CLEAR DOOR HEIGHT (mm): 2000 (STD) OTHER: _____

6_CTRLLO PANEL: NO; YES: RIGHT JAMB LEFT JAMB
 h FROM FLOOR (CONTROL PANEL MIDDLE POINT): _____ mm

CONTROL PANEL HOLE
 RECTANGULAR: A _____ mm x H _____ mm;
 HOLE DIMENSION: Ø _____ mm;
 OTHER: SEND DRAWING



JAMB CLOSING DOOR SIDE

10_JAMB CARTER: YES NO
HEADER CARTER YES NO
11_90° DOOR-STOP (on hinge): YES NO
12_PEDAL DOOR-STOP: YES NO

13_SILL: ANGULAR 40x20x3 mm (STD);
 SILL COVER INOX SB THK 0,8 mm ANGULAR 50x50x5 mm;
 FLAT BOTTOM 50x3 mm; REMOVABLE CROSSBEAM;
 OTHER _____

11_BRACKETS: MASONRY SHAFT CONCRETE SHAFT LTL METAL STRUCTURE

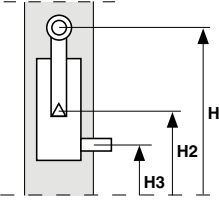
12_DOOR LOCK EN-81: MODEL: _____; **13_SULPPIED:** NO YES

14_DOOR LOCK POSITION:

H WEEL:
H1 _____ mm

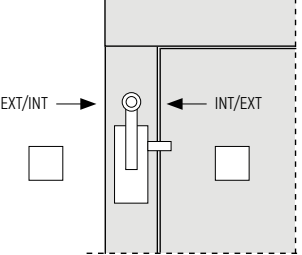
H EMERGENCY HOLE:
H2 _____ mm

H BOLT:
H3 _____ mm



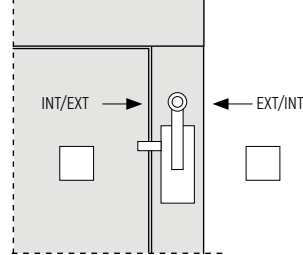
15_PARALLEL (INNER VIEW)

LEFT DOOR



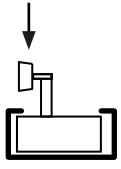
EXT/INT →

RIGHT DOOR



INT/EXT →

16_PERPENDICULAR:



H WEEL: _____ mm

17_PIT (ADDITIONAL SAFETY RELEASE MECHANISM): NO YES
 AVAILABLE FOR: PRUDHOMME SPX4 PLT/L - SPX4PLT/P CAN-LIFT CL/06M KRONENBREG DLF1

18_ADDITIONAL DOOR LOCK: _____

19_EXTERNAL DOOR CLOSER: STD ON DOOR WITH CLEAR DOOR WIDTH 500 AND 550 mm (CM-00000918 "SPARE PARTS" CATALOGUE)

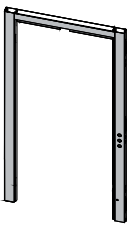
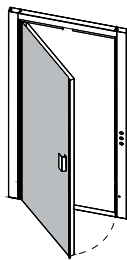
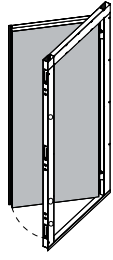
20_ PAINTING: NO; YES: RAL 7001 POWDER SMOOTH BASE FINISH (STD) RAL: _____ ORANGE PEEL FINISHED

21_ BASE MATERIAL: CARBON STEEL (STD) INOX AISI 304 (SATIN); INOX AISI 316; GALVANIZED

22_ COVERING: NO; IF COVERED, SELECT COVERING ZONE:
 FRAME INNER PANEL EXTERNAL PANEL

- INOX: INOX S.B. INOX BA LINEN
 MIRROR REF. STEEL COLOR _____

- WOOD: **WD01** - OAK (BASE RAL 1001) **WD05** - WHITENED OAK (BASE RAL 9001)
 WD04 - WALNUT (BASE RAL 8007) **WD06** - LIGHT WALNUT (BASE RAL 8003)
 WD02 - MAHOGANY (BASE RAL 8011) **WD03** - CHESTNUT (BASE RAL 8003)
 OTHER _____

FRAME
EXTERNAL PANEL
INNER PANEL

- SKINPLATE: A1 A2 A4 G1 F12 PPS PPS1 PPS11 PPS10 PPS15
 PPS25 PPS31 DT29SMA N1 N3 N4 R2 IDL29

23_ GLASS: TRANSPARENT (STD) STD ON P1 MOLDED STD ON V1,V11 SMOKED ACID-ETCHED SATIN ACID-ETCHED SATIN SMOKED
 WITHE MILK STOPSOL CLEAR STOPSOL BRONZE SMOKED GRAY SATIN OTHER: _____

24_ GLASS FRAME: STD LTL ALUMINUM GOLD BRASS RAL: _____

25_ DOOR CLOSER: DUMPER (STD) RYOBI DITEC 220 V DITEC 24 V OTHER: _____

26_ PUSH DOOR SIGN: NO; YES: HAND SIGN LANGUAGE: _____; (ITALIAN, GERMAN, ENGLISH, SPANISH, RUSSIAN)

27_ HANDLE: CASPIM, INOX SATIN (INT. 480 mm) STD CASPIM, INOX SATIN (INT. 160 mm)
 CASPIM, INOX POLISHED (INT. 480 mm) CASPIM, INOX POLISHED (INT. 160 mm) OTHER: _____

28_ SINGLE DOOR PACKAGE: FOAM + FILM NO

29_ PACKAGE: WOOD PALLET WOODEN BOX + PALLET WOOD CAGE + PALLET

30_ TYPE OF PACKAGING: HT NO HT

NOTE _____

SIGN

