



Via Variante di Cancelliera, snc  
00072 Ariccia, Roma (Italy)  
Tel: +39 06 93 45 202  
Fax: +39 06 90 20 30 92  
Email: info@ltsrl.it



**SLIM DOORS**  
LANDING DOORS OS3-11







IN ACCORDANCE  
WITH UNI EN 81-20

ORDER  
 QUOTATION

cod.doc : DO 0000007  
doc.date : 07/09/17  
rev\_008

COMPANY NAME: \_\_\_\_\_ TELEPHONE: \_\_\_\_\_  
NAME: \_\_\_\_\_ FAX/EMAIL: \_\_\_\_\_  
ADDRESS: \_\_\_\_\_ CITY: \_\_\_\_\_ PROV: \_\_\_\_\_  
DATE: \_\_\_\_\_ INSTALLATION REF: \_\_\_\_\_ DELIVERY DATE: \_\_\_\_\_

**1\_ MODELS**

2TD   2TS   
 3TD   3TS   
 2C   4TX 

THE ARROWS SHOW THE CLOSING DIRECTION OF THE DOOR

**3\_ DOOR QUANTITY N°:** \_\_\_\_\_

**4\_ CLEAR DOOR (mm):**

500  550  600  650  700  
 750  800  850  900  950  
 1000  1050  1100  1150  1200

**5\_ SILL FOR DOOR:**

25 mm (STD)  20 mm

**6\_ DOOR:**  NO; YES:  MILD STEEL (STD)  GALVANIZED

**7\_ COLOR:**  RAL 7001 (STD); RAL: \_\_\_\_\_

**8\_ INOX AISI 304 COVERING:**

INOX S.B.  INOX BA  LINEN  MIRROR

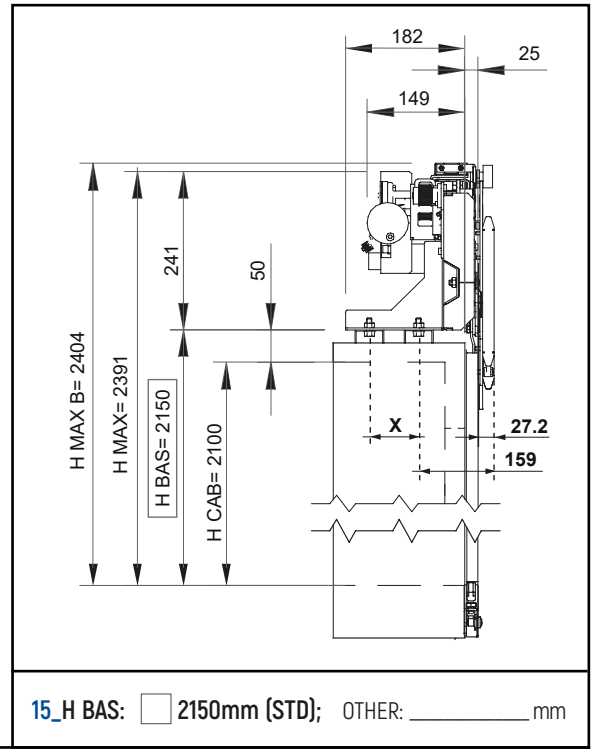
**9\_ SKINPLATE:**

A1  A2  A4  G1  F12 PPS  
 PPS1  PPS11  PPS10  PPS15  
 PPS25  PPS31  N1  N3  N4  
 R2  DL29  ALTRO \_\_\_\_\_

**10\_ SPECIAL INOX:** REF. STEEL-COLOR CATALOGUE: \_\_\_\_\_

**11\_ REDISPOSITION FOR PALSTIC LAMINATE:** (REF. ARPA)  YES

**12\_ OPERATOR FIXING BRACKETS:**  X = 100 mm STD  X = 75 mm OTHER: \_\_\_\_\_



**14\_ VETRO:**  TRANSPARENT (STD)  SMOKED  ACID-ETCHED SATIN  WHITE MILK  ACID-ETCHED SATIN SMOKED OTHER: \_\_\_\_\_

**15\_ ACCESSORIES**

CAR DOOR LOCK SKID:  YES  NO (STD)

APRON:  NO  H 750 mm OTHER H: \_\_\_\_\_  
EN 81-1 e EN81-2

RETIRING CAM:  NO  FIXED  RETRACTABLE

CONTROL KEYPAD:  YES  NO (STD)

**16\_ POWER SUPPLY:**  24 V DC  48 V DC  220 V DC SPECIAL: \_\_\_\_\_

**17\_ PACKAGE:**  CARTON BOX; WOODEN BOX:  HT  NO HT

**NOTE** \_\_\_\_\_ **SIGN** \_\_\_\_\_