



Via Variante di Cancelliera, snc  
00072 Ariccia, Roma (Italy)  
Tel: +39 06 93 45 202  
Fax: +39 06 90 20 30 92  
Email: info@ltsrl.it



**DESIGN DOOR**  
HINGED DOORS ONE LEAF

IN ACCORDANCE  
WITH UNI EN 81-20

ORDER  
 QUOTATION

cod.doc : DO 00000005  
doc.date : 22/01/18  
rev.011

PAG 1/2

COMPANY NAME: \_\_\_\_\_ TELEPHONE: \_\_\_\_\_  
 NAME: \_\_\_\_\_ FAX/EMAIL: \_\_\_\_\_  
 ADDRESS: \_\_\_\_\_ CITY: \_\_\_\_\_ PROV: \_\_\_\_\_  
 DATE: \_\_\_\_\_ INSTALLATION REF: \_\_\_\_\_ DELIVERY DATE: \_\_\_\_\_

1\_ QUANTITY OF DOORS: \_\_\_\_\_; 2\_ OPENING  RIGHT N° \_\_\_\_\_;  LEFT N° \_\_\_\_\_  
DOOR VIEW FROM FLOOR

3\_ MODELS

PERSEUS

AURIGA

DRACO

LYNX

CYGNUS

4\_ DOOR WIDTH (mm):

<input type="checkbox"/> 500	<input type="checkbox"/> 550	<input type="checkbox"/> 600	<input type="checkbox"/> 650
<input type="checkbox"/> 700	<input type="checkbox"/> 750	<input type="checkbox"/> 800	<input type="checkbox"/> 850
<input type="checkbox"/> 900	<input type="checkbox"/> 950	<input type="checkbox"/> 1000	<input type="checkbox"/> 1050
<input type="checkbox"/> 1100	<input type="checkbox"/> 1150	<input type="checkbox"/> 1200	<input type="checkbox"/> 1400
<input type="checkbox"/> OTHER: _____			

5\_ DOOR HEIGHT (mm):

2000 (STD)  OTHER: \_\_\_\_\_

FRAME

6\_ LEFT JAMB:  100 mm (STD)  OTHER: \_\_\_\_\_  
 7\_ HEADER:  100 mm (STD)  OTHER: \_\_\_\_\_  
 8\_ RIGHT JAMB:  100 mm (STD)  OTHER: \_\_\_\_\_

10\_ JAMB CARTER:  YES  NO  
 HEADER CARTER  YES  NO  
 11\_ 90° DOOR-STOP (on hinge):  YES  NO  
 12\_ PEDAL DOOR-STOP:  YES  NO

9\_ CONTROL PANEL

NO; YES:  RIGHT JAMB  LEFT JAMB  
 h FROM FLOOR (CONTROL PANEL MIDDLE POINT): \_\_\_\_\_ mm

CONTROL PANEL HOLE DIMENSION:

RECTANGULAR: A \_\_\_\_\_ mm x H \_\_\_\_\_ mm;  
 HOLE DIMENSIONS: Ø \_\_\_\_\_ mm;  
 OTHER: SEND THE DRAWING

13\_ SILL:  ANGULAR 40x20x3 mm (STD);  
 SILL COVER INOX SB THK 0,8 mm  ANGULAR 50x50x5 mm;  
 FLAT BOTTOM 50x3 mm;  REMOVABLE CROSSBEAM;  
 OTHER \_\_\_\_\_

14\_ BRACKETS:

MASONRY SHAFT  CONCRETE SHAFT  LTL METAL STRUCTURE

15\_ DOOR LOCK EN-81: MODEL: \_\_\_\_\_ 16\_ SUPPLIED:  NO  YES

17\_ DOOR LOCK POSITION:

**H WHEEL:**  
H1 \_\_\_\_\_ mm

**H EMERGENCY HOLE:**  
H2 \_\_\_\_\_ mm

**H BOLT:**  
H3 \_\_\_\_\_ mm

18\_ PARALLEL (INNER VIEW FROM LIFT SHAFT)

LEFT DOOR

EXT/INT →

RIGHT DOOR

INT/EXT →

19\_ PERPENDICULAR:

H WHEEL: \_\_\_\_\_ mm

20\_ PIT ( ADDITIONAL SAFETY RELEASE MECHANISM):  NO  YES  
 AVAILABLE FOR: PRUDHOMME SPX4 PLT/L - SPX4PLT/P CAN-LIFT CL/06M KRONENBREG DLF1

21\_ ADDITIONAL DOOR LOCK: \_\_\_\_\_

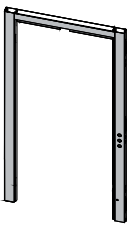
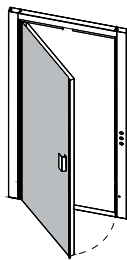
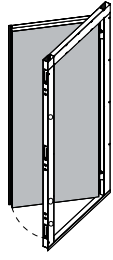
**22\_ PAINTING:** NO; YES:  RAL 7001 POWDER SMOOTH BASE FINISH (STD)  RAL: \_\_\_\_\_ ORANGE PEEL FINISHED

**23\_ BASE MATERIAL:**  CARBON STEEL (STD)  INOX AISI 304 (SATIN);  INOX AISI 316;  GALVANIZED

**24\_ COVERING:**  NO; IF COVERED, SELECT COVERING ZONE:  
 FRAME  INNER PANEL  EXTERNAL PANEL

**- INOX:**  INOX S.B.  INOX BA  LINEN  
 MIRROR REF. STEEL COLOR \_\_\_\_\_

**- WOOD:**  **WD01** - OAK (BASE RAL 1001)  **WD05** - WHITENED OAK (BASE RAL 9001)  
 **WD04** - WALNUT (BASE RAL 8007)  **WD06** - LIGHT WALNUT (BASE RAL 8003)  
 **WD02** - MAHOGANY (BASE RAL 8011)  **WD03** - CHESTNUT (BASE RAL 8003)  
 **OTHER** \_\_\_\_\_

FRAME
EXTERNAL PANEL
INNER PANEL

**- SKINPLATE:**  A1  A2  A4  G1  F12 PPS  PPS1  PPS11  PPS10  PPS15  
 PPS25  PPS31  DT29SMA  N1  N3  N4  R2  IDL29

**25\_ GLASS:**  TRANSPARENT (STD)  MOLDED  SMOKED  ACID-ETCHED SATIN  ACID-ETCHED SATIN SMOKED  
 WITHE MILK  STOPSOL CLEAR  STOPSOL BRONZE  SMOKED GRAY SATIN OTHER: \_\_\_\_\_

**26\_ DOOR CLOSER:**  INTERNAL DUMPER (STD) DOOR CLOSER  RYOBI (clear door min. 600mm)  DITEC 220 V (clear door min. 650mm)  DITEC 24 V (clear door min. 650mm) OTHER: \_\_\_\_\_

**27\_ PUSH DOOR SIGN:**  NO; YES:  HAND SIGN  LANGUAGE: \_\_\_\_\_; (ITALIAN, GERMAN, ENGLISH, SPANISH, RUSSIAN)

**28\_ HANDLE:**  STD LTL ALUMINUM  GOLD  BRASS  RAL: \_\_\_\_\_  
 OTHER : "HINGED DOORS SPARE PARTS" CATALOGUE (PRODUCT CODE) \_\_\_\_\_

**29\_ SINGLE DOOR PACKAGE:**  FOAM + FILM  NO

**30\_ PACKAGE:**  WOOD PALLET  WOODEN BOX + PALLET  WOOD CAGE + PALLET

**31\_ TIPOLOGIA IMBALLO:**  HT  NO HT

**NOTE** \_\_\_\_\_  
 \_\_\_\_\_  
 \_\_\_\_\_  
 \_\_\_\_\_  
 \_\_\_\_\_  
 \_\_\_\_\_  
 \_\_\_\_\_

**SIGN**

\_\_\_\_\_  
 \_\_\_\_\_